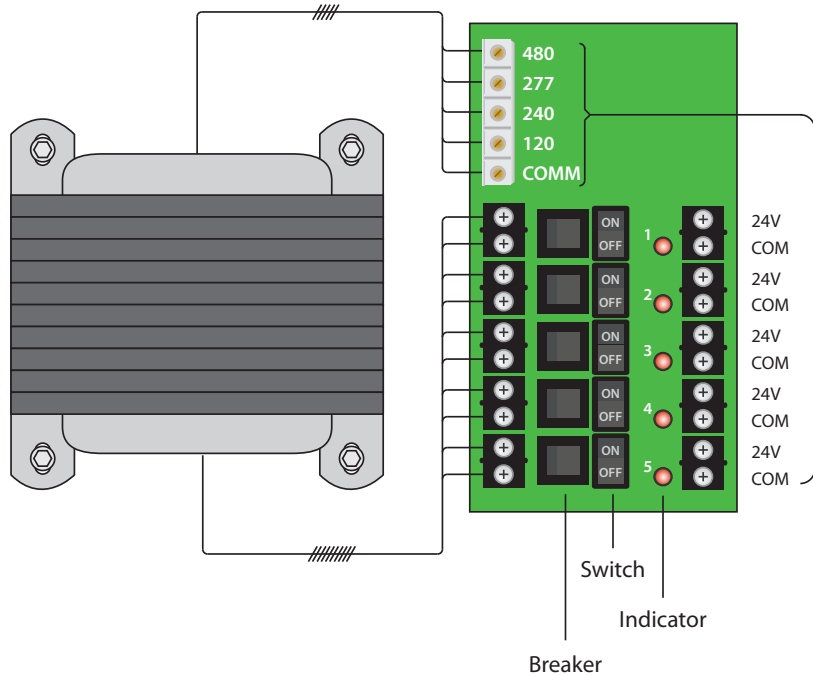


**AC POWER SUPPLY**

**PSH500A**

Enclosed 500VA Power Supply with Five 100VA Class 2 Outputs, 480/277/240/120 Vac to 24 Vac



User Connections

PSH500A Shown With Cover



PSH500A Shown Without Cover



**SPECIFICATIONS**

**Transformer:** One (1) 500 VA  
**Over Current Protection:** Circuit Breaker  
**Primary:** 480/277/240/120 Vac  
**Frequency:** 50/60 Hz  
**Dimensions:** 12.125" x 12.125" x 6.000"  
**Approvals:** Class 2 (UL Approved UL5085-3), UL916, C-UL, CE, RoHS, Special  
**Housing:** NEMA1 Metal Enclosure

**5 Secondaries:**  
 24 Vac, with LED Indicators  
 4 Amp breaker for each output  
**24 Vac ON/OFF:**  
 On / Off Switch & Breaker

**Input:**  
 480/277/240/120 Vac **Finger-Safe Terminals**, 8-18 AWG

**Output:**  
 5 Ungrounded, Isolated, 100 VA, Class 2, 24 Vac Outputs. Terminals accept 12-26 AWG wire.

**Ambient Temperature Derating:**  
 4A up to 40° C ; 3A up to 50° C ; 2A up to 55° C  
 (When All 5 Outputs Operated Simultaneously)

**Notes:**  
 • To order UL508, add "-IC" to end of model number.  
 • Primary voltage terminal cover available.  
 • Design is in accordance with ASCE 7-05 Chapter 13: [www.oshpd.ca.gov/FDD/Pre-Approval/OSP-0201-10.pdf](http://www.oshpd.ca.gov/FDD/Pre-Approval/OSP-0201-10.pdf)

**Standby Wattage:**  
 48.515 W @ 120 Vac  
 48.699 W @ 240 Vac  
 49.564 W @ 277 Vac  
 48.255 W @ 480 Vac

**Full Load Primary Current:**  
 4.66 A @ 120 Vac  
 2.41 A @ 240 Vac  
 2.06 A @ 277 Vac  
 1.17 A @ 480 Vac

**Secondary Output Voltage vs. Load:**  
 24.0 V @ 1 Amp  
 23.0 V @ 2 Amp  
 21.8 V @ 3 Amp  
 21.1 V @ 4 Amp

• With 240 Vac primary input voltage  
 • When all 5 outputs operated simultaneously, at room temperature

**GREAT FOR VAV APPLICATIONS**